

Technical Drawing of

**Battery holder : Li-Ion 18650 Battery Holder (1S1P) With 2.6" long
20AWG & PCB (1S1P-18650)**



AA Portable Power Corp (<http://www.batteryspace.com>)

Address: 860 S, 19th St, Unit A, Richmond, CA, 94804

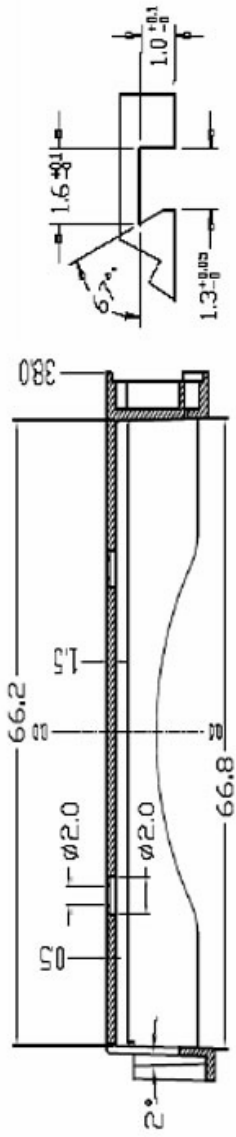
Tel: 510-525-2328

Fax: 510-439-2808

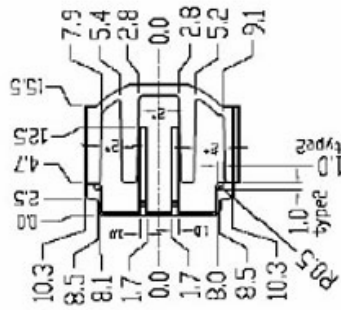
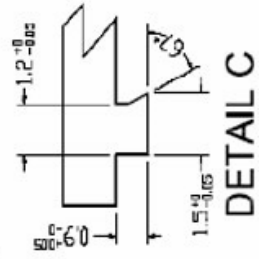
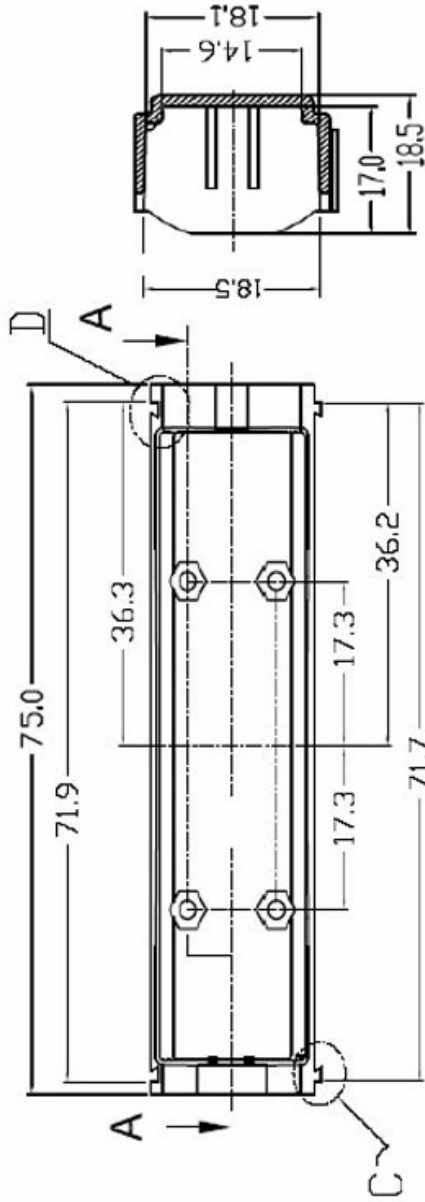
Email: Sales@batteryspace.com

Prepared & Approved by Max (01/04/10)

Scale: 1.5:1



DETAIL D



GENERAL TOLERANCES	
XX.	± 0.2
XX.X	± 0.1
XX.XX	± 0.03
XX.XXX	± 0.01
XX°	$\pm 1^\circ$
XX.X°	$\pm 0.5^\circ$
XX.XX°	$\pm 0.25^\circ$

Note: Above drawing can be applied for battery holder below,
 please change the width by multiple of number below (The height &
 the length are not changed)



1S2P / 2S1P 18650 battery holder → x2



1S3P / 3S1P 18650 battery holder → x3



1S4P / 2S2P / 4S1P battery holder → x4